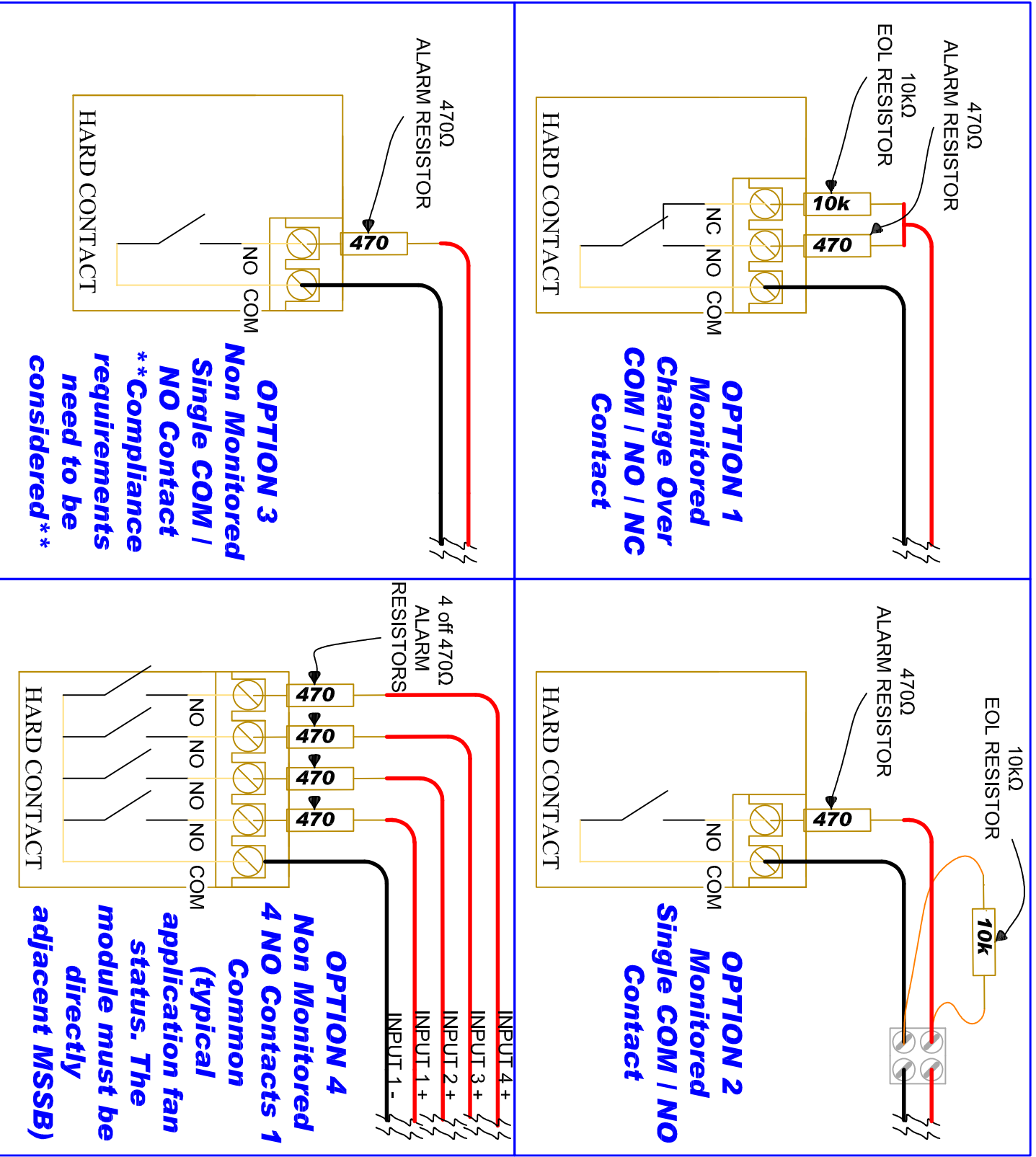


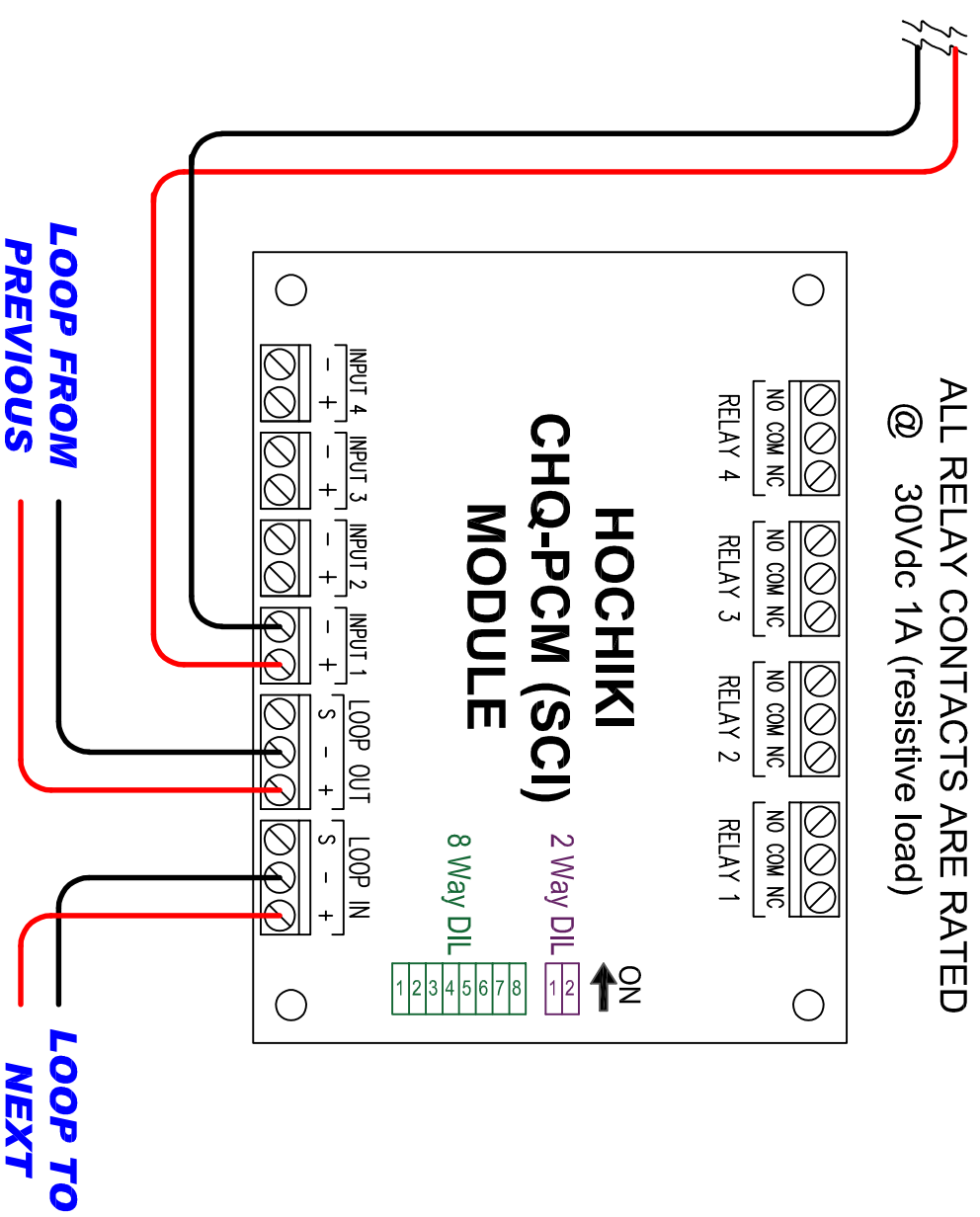
CHQ-PCM INPUT TYPICAL WIRING OPTIONS



Options 1, 2 & 3 show the wiring for each of the 4 inputs.

Input threshold levels

- > 100kΩ Open Circuit Fault
- 10kΩ E.O.L. resistor
- 470Ω Input Active
- < 50Ω Short Circuit Fault



8 WAY DIL	
1	Adds 1 to Address
2	Adds 2 to Address
3	Adds 4 to Address
4	Adds 8 to Address
5	Adds 16 to Address
6	Adds 32 to Address
7	Adds 64 to Address
8	No Function Leave OFF

2 WAY DIL

1	Disable Inputs 1 & 2
2	Disable Inputs 3 & 4

NO.	DATE	REVISION

incite fire

Block Y Unit 1
391 Park Road
Regents Park NSW 2143
W: www.incitefire.com.au

Project: **CHQ-PCM MODULE**
Title/Name: **TYPICAL INPUT WIRING OPTIONS**
Standard Drawing
FIELD WIRING

incite fire

Article No./Reference: Typ2021_010
DWG DATE: 06/07/2021
APPROVED DATE: 06/07/2021
Designed by: JC
Checked by:
DWG No.: Typ2021_010
SHEET SCALE: 1 / 1 NTS